

# JIS

**JAPANESE INDUSTRIAL STANDARD**

**Cylinder head gaskets for  
automobile engines**

**JIS D 3105<sup>—1992</sup>**

**Translated and Published**

**by**

**Japanese Standards Association**

In the event of any doubt arising,  
the original Standard in Japanese is to be final authority.

## 1. Scope

This Japanese Industrial Standard specifies cylinder head gaskets used for automobile engines, (hereafter referred to as gaskets).

Remarks: The applicable standard is as follows:

JIS D 1001-Engine Power Test Code for Road Vehicles

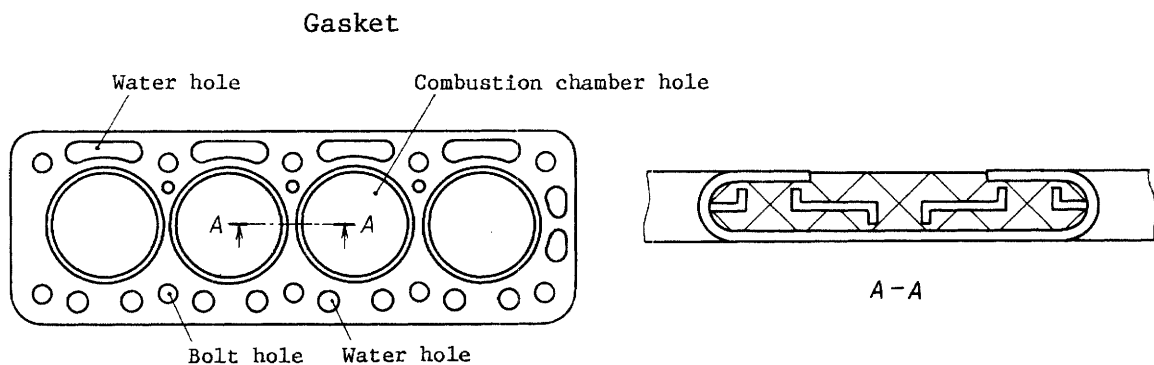
## 2. Definition

The meanings of the main terms used in this standard shall be as follows:

### (1) Terms relating to gasket construction

- (a) cross-sectional construction of combustion chamber hole sealing part  
The cross-sectional construction parts which seal mainly combustion gas at the combustion chamber hole part of the gasket. (Refer to Fig. 3).

Fig. 1. Cross-sectional construction of combustion chamber hole sealing part (Example)



- (b) combustion chamber hole sealing part reinforcing construction  
The construction for reinforcing the combustion chamber hole sealing part of the gasket to particularly improve the sealing effect.
- (c) gasket (body) Gasket body from which the grommet and the auxiliary seal are removed.