

# JIS

**JAPANESE INDUSTRIAL STANDARD**

**Compression type tube fittings  
for machine tools**

**JIS B 6164—1996**

**Translated and Published**

**by**

**Japanese Standards Association**

**In the event of any doubt arising,  
the original Standard in Japanese is to be final authority**

Errata for JIS (English edition) are printed in *Standardization Journal*, published monthly by the Japanese Standards Association.

Errata will be provided upon request, please contact:

**Business Department,  
Japanese Standards Association**  
4-1-24, Akasaka, Minato-ku,  
Tokyo, JAPAN 107  
TEL. 03-3583-8002  
FAX. 03-3583-0462

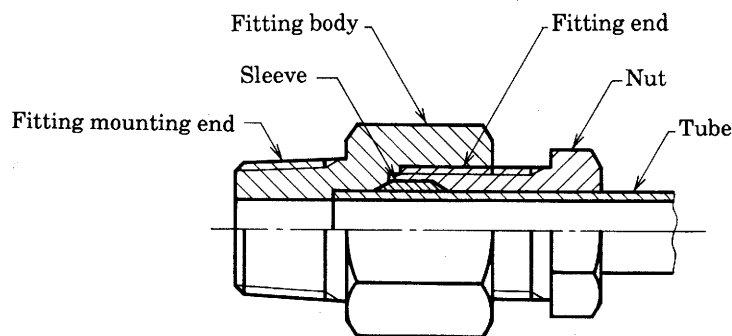
Errata are also provided to subscribers of JIS (English edition) in *Monthly Information*.

1. Scope This Japanese Industrial Standard specifies the compression type tube fittings <sup>(1)</sup> (hereafter referred to as "fittings") to be used mainly for the metal tubes specified in the Annex, among the tube fittings to be used in the lubrication piping systems of rated pressure 2.5 MPa or under for machine tools.

Note <sup>(1)</sup> The fittings of such type that the tube is connected to the fitting by compressing the sleeve to the tube, so that the pressurized fluid is hermetically sealed. Examples of the structure are given in Fig. 1.

Fig. 1

## (A) Taper thread nipple



## (B) Parallel thread elbow

