

JIS

JAPANESE INDUSTRIAL STANDARD

**Glassfiber Reinforced
Plastic Water Tanks**

JIS A 4110^{—1989}

JIS A 4110:1989 has been revised under date of March 20, 2008.
The revised items are included in Amendment 1.

Translated and Published

by

Japanese Standards Association

In the event of any doubt arising,
the original Standard in Japanese is to be final authority.

1. Scope

This Japanese Industrial Standard specifies the integrated type water tanks, hereafter referred to as the "water tanks", made of glassfiber reinforced polyester of 50 m³ or under in capacity to be used for water supply facilities which are installed in the interiors and rooftops of 60 m or under in eaves height.

Remark: The units and numerical values given in { } in this Standard are based on the traditional unit system and are currently the criteria in force.

2. Names of Respective Parts

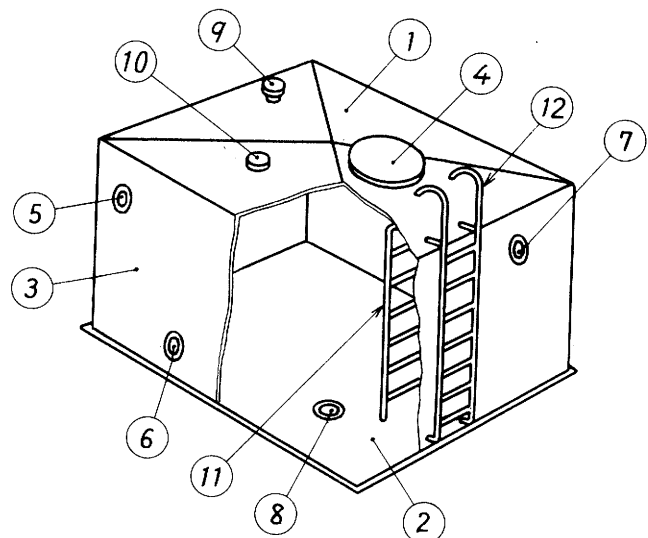
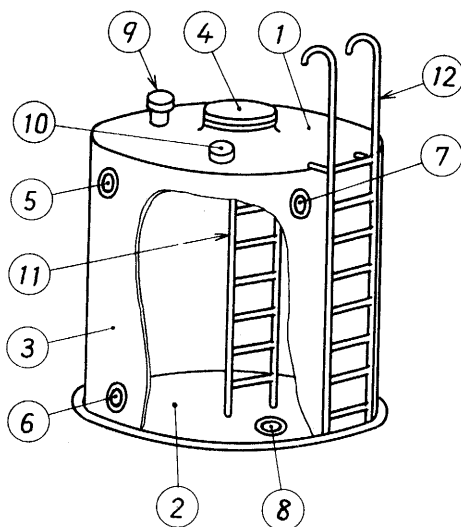
The names of respective parts of the water tanks shall be as given in Fig. 1, Fig. 2 and Fig. 3.

- | | | | |
|--------------------|-----------------------|----------------------------------|--------------------------|
| ① Ceiling | ② Bottom | ③ Peripheral wall | ④ Manhole ⁽¹⁾ |
| ⑤ Inlet opening | ⑥ Outlet opening | ⑦ Overflow opening | |
| ⑧ Drainage opening | ⑨ Ventilation opening | ⑩ Seat for installing electrodes | |
| ⑪ Inside ladder | ⑫ Outside ladder | | |

Note (1) The manhole is the opening part for entrance and exit for persons, and of which cover also is considered to be the one part of the manhole.

Fig. 1. Cylindrical Shape Water Tank (Example Figure)

Fig. 2. Cubic Shape Water Tank (Example Figure)



Applicable Standards: See page 11.